



# **VOLUME 3**

# **PRICING PROPOSAL**

### Pricing Proposal

Lot 1 Bidders must use this form. Lot 2 and 3 may use an alternative form.

#### Base Pricing

Each vendor shall provide their pricing for slant top and upright as a percentage of net terminal income, carried to four (4) decimal places, including zeros. If a bidder does not carry out a price quote to four (4) decimal places, the Commission will add the appropriate number of zeros. For example, if a quote is stated as 0.10%, the Commission will add two (2) zeros to make the quote read 0.1000%. Pricing is inclusive of machine lease, games, software, maintenance and seats.

#### Lot 1 - Primary Suppliers


% Net Machine Income: \_\_\_\_\_%  
Specified Option: Attach Catalog with pricing

#### Lot 2 - Qualified Standard Device Suppliers

% Net Machine Income: \_\_\_\_\_%  
Specified Option: Attach catalog with pricing

#### Lot 3 - Qualified Electronic Table Games Suppliers

% Net Machine Income: 6.0000 % This percentage pertains to all items in our catalog  
Specified Option: Attach catalog with pricing

<i>Please include the following information to verify the Entity for which this Proposal is being made:</i>	
Company Name:	KGM Gaming, LLC
Signature:	
Date:	3/17/2021

#### Quantity Breakpoints:

- % of Net Machine Income Discount Schedule - Quantity to be aggregated across all facilities
- 0 - 320 Stations - 6.0000% of Net Machine Income
- 321 - 640 Stations - 5.9500% of Net Machine Income
- 641 - 800 Stations - 5.9000% of Net Machine Income
- 801 - 1,000 Stations - 5.8500% of Net Machine Income
- 1,001 + Stations - 5.8000% of Net Machine Income



EVOLUTION THROUGH INNOVATION

[www.kgmgaming.com](http://www.kgmgaming.com)

# MULTITOUCH LIVE AUTO

Made for anyone, loved by everyone

## Description:

The machine provides a different concept with emphasis on excitement and player interaction, bringing an electronic table game extremely close to the live game experience - with no downsides of a live table setup. Unique in design, this machine simulates the play on a live roulette table, with 8 individual stations and single community screen. **Multi-Touch** comes with several new features and completely different software package compared to our other products.

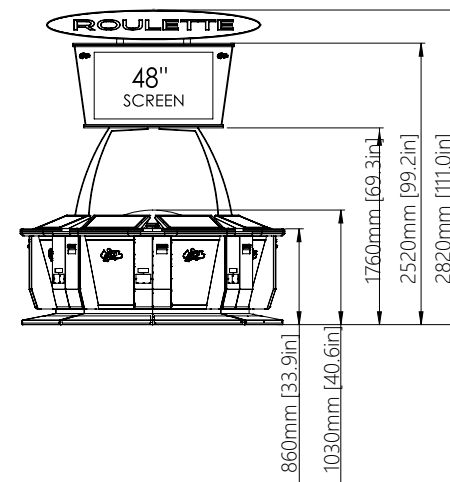
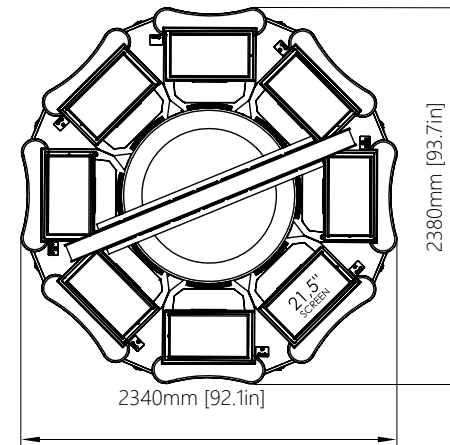
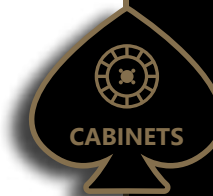
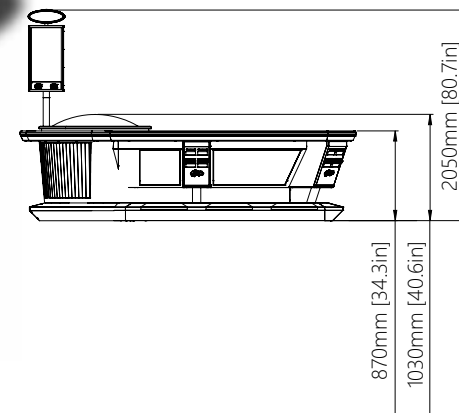
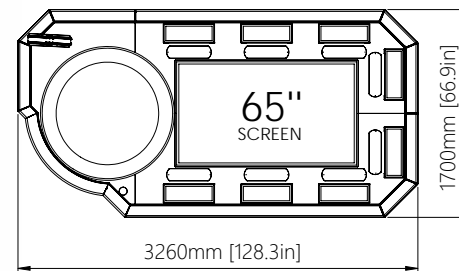
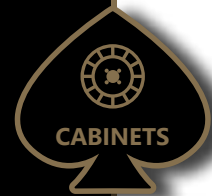
## Main features:

- Automated or Live Roulette game with the possibility to combine both options
- Craps and SicBo game coming soon
- Bill acceptors, ticket printers and player tracking modules
- Easily expandable with multiple Roulette wheels and all Alfastreet single terminals
- Multiple design and configuration options
- Total bets of all players shown on screen, adding to the community aspect of the game
- Customized statistics display with various options to choose from
- Footprint: 5,13 m<sup>2</sup> [55,2 ft<sup>2</sup>]
- USB chargers

### Quantity Breakpoints:

% of Net Machine Income Discount Schedule – Quantity to be aggregated across all facilities:

0 - 320 Stations	- 6.0000% of Net Machine Income
321 - 640 Stations	- 5.9500% of Net Machine Income
641 - 800 Stations	- 5.9000% of Net Machine Income
801 - 1,000 Stations	- 5.8500% of Net Machine Income
1,001 + Stations	- 5.8000% of Net Machine Income



# LUCKY 8

Suitable for every floor

## Description:

New 8-station Roulette, featuring a compact design with app. 25% less footprint, compared to our R8 Roulette, with the same size Roulette wheel. **Lucky 8** is fresh in design, durable and attractive, guaranteed to attract attention on the casino floor.

## Main features:

- Roulette, SicBo, Craps
- Bill acceptors, ticket printers and player tracking modules
- Supports the Multi-Game and Simultaneous Play options
- Additional virtual games available
- Multiple design and configuration options
- Different illumination effects and colors
- Footprint: 4,51 m<sup>2</sup> [48,5 ft<sup>2</sup>]
- USB chargers
- Optional keyboards

### Quantity Breakpoints:

% of Net Machine Income Discount Schedule – Quantity to be aggregated across all facilities:

0 - 320 Stations	- 6.0000% of Net Machine Income
321 - 640 Stations	- 5.9500% of Net Machine Income
641 - 800 Stations	- 5.9000% of Net Machine Income
801 - 1,000 Stations	- 5.8500% of Net Machine Income
1,001 + Stations	- 5.8000% of Net Machine Income



# R8

*When performance matters*

## Description:

**R8 Roulette** is the original Roulette machine that made our company famous. We've made improvements to ergonomics, technology, and functionality, all contributing to an overall player and operator satisfaction. The machine offers extensive customization options. Currently, we offer it with 5, 6 or 8 stations. This product is the world's all-time most sold Roulette.

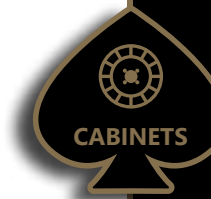
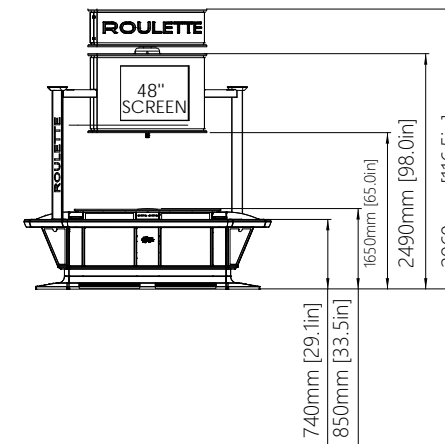
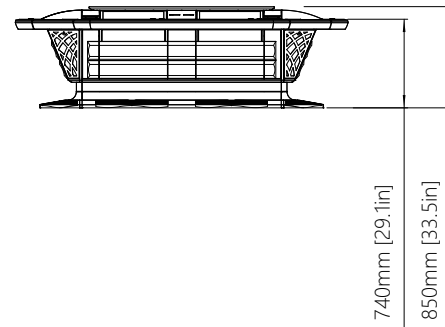
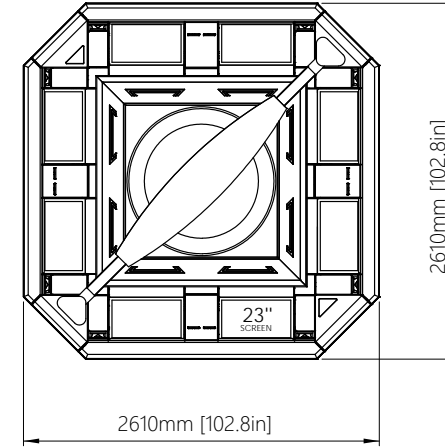
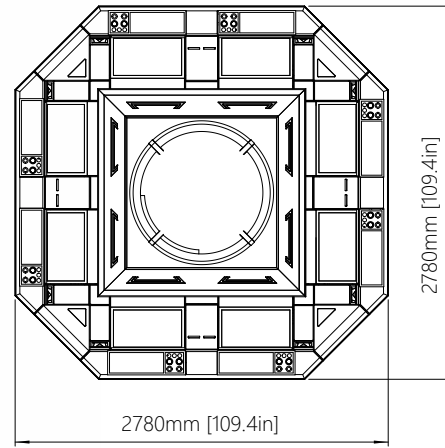
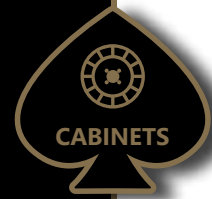
## Main features:

- Roulette, SicBo, Craps
- Bill acceptors, ticket printers and player tracking modules
- Supports the Multi-Game and Simultaneous Play options
- User-friendly interface with involving graphics and dynamic statistics
- Additional virtual games available
- USB chargers
- A configuration of 5, 6 and 8 stations
- Optional keyboards
- Footprint: 6,73 m<sup>2</sup> [72,4 ft<sup>2</sup>]

### Quantity Breakpoints:

% of Net Machine Income Discount Schedule – Quantity to be aggregated across all facilities:

- 0 - 320 Stations - 6.0000% of Net Machine Income
- 321 - 640 Stations - 5.9500% of Net Machine Income
- 641 - 800 Stations - 5.9000% of Net Machine Income
- 801 - 1,000 Stations - 5.8500% of Net Machine Income
- 1,001 + Stations - 5.8000% of Net Machine Income



# R8



### Quantity Breakpoints:

% of Net Machine Income Discount Schedule – Quantity to be aggregated across all facilities:

- 0 - 320 Stations - 6.0000% of Net Machine Income
- 321 - 640 Stations - 5.9500% of Net Machine Income
- 641 - 800 Stations - 5.9000% of Net Machine Income
- 801 - 1,000 Stations - 5.8500% of Net Machine Income
- 1,001 + Stations - 5.8000% of Net Machine Income

# R6

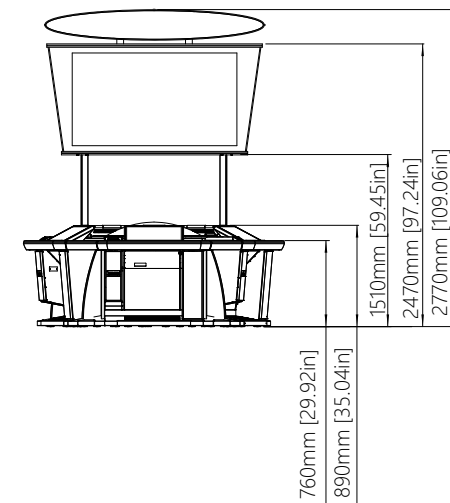
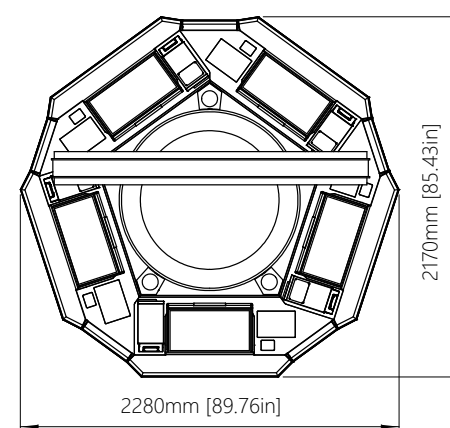
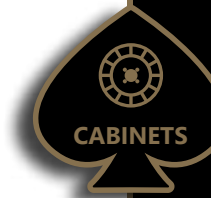
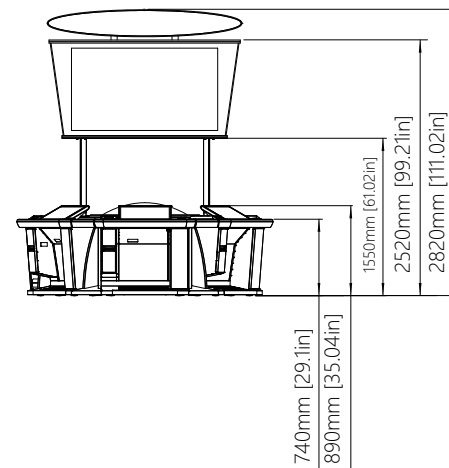
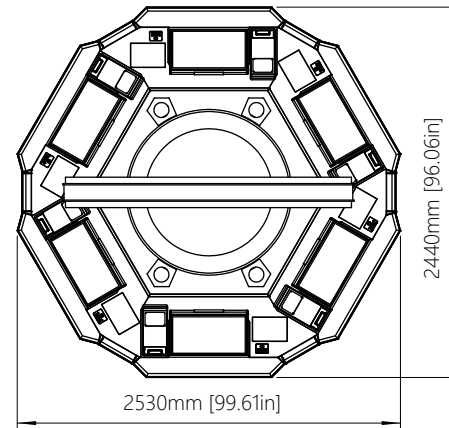
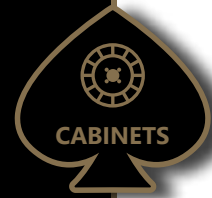
When performance matters



**Quantity Breakpoints:**

% of Net Machine Income Discount Schedule – Quantity to be aggregated across all facilities:

- 0 - 320 Stations - 6.0000% of Net Machine Income
- 321 - 640 Stations - 5.9500% of Net Machine Income
- 641 - 800 Stations - 5.9000% of Net Machine Income
- 801 - 1,000 Stations - 5.8500% of Net Machine Income
- 1,001 + Stations - 5.8000% of Net Machine Income



# R5



**Quantity Breakpoints:**

% of Net Machine Income Discount Schedule – Quantity to be aggregated across all facilities:

- 0 - 320 Stations - 6.0000% of Net Machine Income
- 321 - 640 Stations - 5.9500% of Net Machine Income
- 641 - 800 Stations - 5.9000% of Net Machine Income
- 801 - 1,000 Stations - 5.8500% of Net Machine Income
- 1,001 + Stations - 5.8000% of Net Machine Income



# WIKY

Feel the power

## Description:

Advanced in technology, with a futuristic design and enormous screen, **Wiky** offers something extra. This model is unique in every way and will surely be a great hit on your Casino floor.

## Main features:

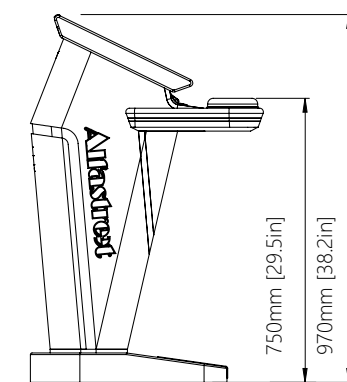
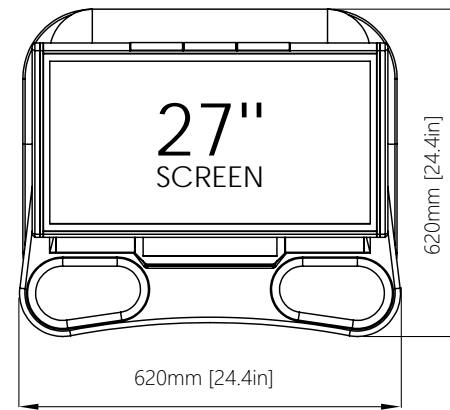
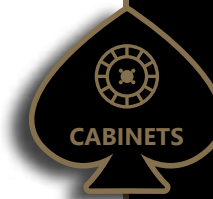
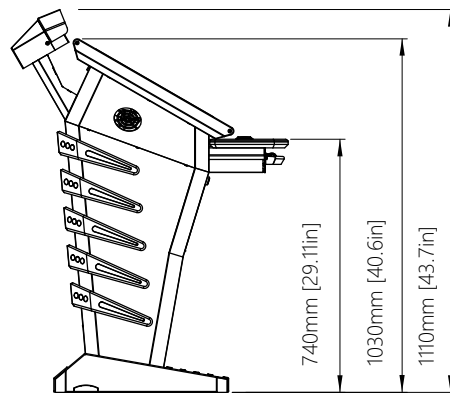
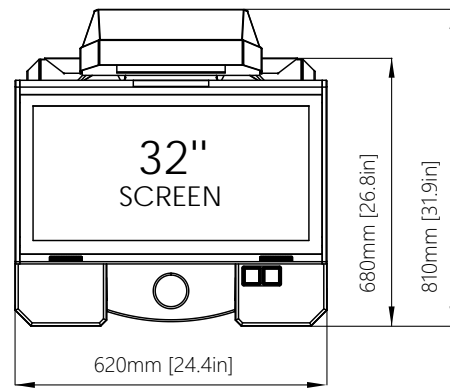
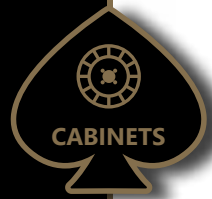
- Bill acceptors, ticket printers and player tracking modules
- Supports the Multi-Game and Simultaneous Play options
- Unlimited connectivity to live and automatic game sources
- Optimized design, minimal space occupancy
- Footprint: 0,64 m<sup>2</sup> [6,9 ft<sup>2</sup>]
- USB chargers



### Quantity Breakpoints:

% of Net Machine Income Discount Schedule – Quantity to be aggregated across all facilities:

- 0 - 320 Stations - 6.0000% of Net Machine Income
- 321 - 640 Stations - 5.9500% of Net Machine Income
- 641 - 800 Stations - 5.9000% of Net Machine Income
- 801 - 1,000 Stations - 5.8500% of Net Machine Income
- 1,001 + Stations - 5.8000% of Net Machine Income



# FELIX T

Enter the new dimension

## Description:

This brand new terminal is a welcome addition to our single terminal line. **Felix T** is simple in design, yet effective and comfortable for the players. This terminal brings a massive display and perfected user interface, together with resistant and modern outlook. Perfected for the use with our Electronic Table Games, Felix T is the announcement of the new generation of Alfastreet cabinets. Made to satisfy the highest Alfastreet quality standards, Felix T is going to be a welcome addition to many Casinos around the world.

## Main features:

- Bill acceptors, ticket printers and player tracking modules
- Supports the Multi-Game and Simultaneous Play options
- Unlimited connectivity to live and automatic game sources
- Optimized design, minimal space occupancy
- 27" monitors with an optimized viewing angle
- Footprint: 0,51 m<sup>2</sup> [5,5 ft<sup>2</sup>]
- USB chargers



### Quantity Breakpoints:

% of Net Machine Income Discount Schedule – Quantity to be aggregated across all facilities:

- 0 - 320 Stations - 6.0000% of Net Machine Income
- 321 - 640 Stations - 5.9500% of Net Machine Income
- 641 - 800 Stations - 5.9000% of Net Machine Income
- 801 - 1,000 Stations - 5.8500% of Net Machine Income
- 1,001 + Stations - 5.8000% of Net Machine Income

# FELIX S

Feel the game

## Description:

**Felix S** is the latest slot cabinet made by Alfastreet. Very modern and luxurious, this cabinet is ready to stand side by side with any competitive product. Innovative solutions, thoughtful ergonomics with functional button arrangement and durable materials are just a few of the advantages of this beautiful cabinet. Felix S can be combined with any of our slot games, virtual electronic games, and even our live and semi-live tables. Felix S follows the modern trends and offers additional excitement to the player.

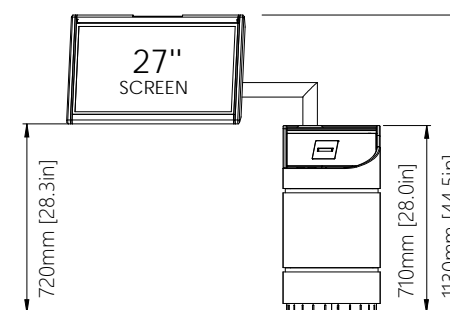
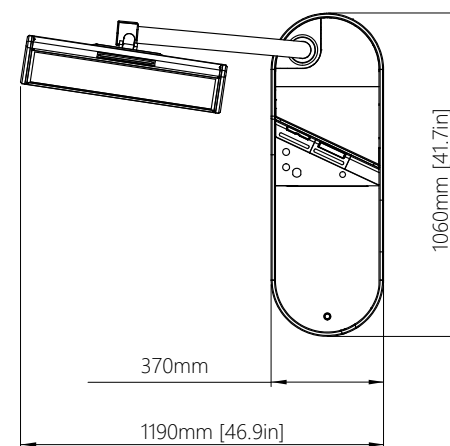
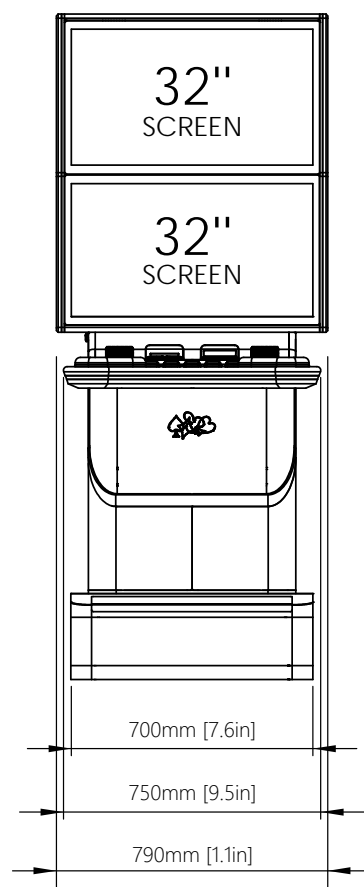
## Main features:

- Bill acceptors, ticket printers and player tracking modules
- Unlimited connectivity to live and automatic game sources
- Multiple Jackpot options
- Combines slot games with Alfastreet Multi-game selection
- Optional topper solutions
- Attractive decorative lighting
- Footprint: 0,55 m<sup>2</sup> [5,92 ft<sup>2</sup>]
- USB chargers

### Quantity Breakpoints:

% of Net Machine Income Discount Schedule – Quantity to be aggregated across all facilities:

- 0 - 320 Stations - 6.0000% of Net Machine Income
- 321 - 640 Stations - 5.9500% of Net Machine Income
- 641 - 800 Stations - 5.9000% of Net Machine Income
- 801 - 1,000 Stations - 5.8500% of Net Machine Income
- 1,001 + Stations - 5.8000% of Net Machine Income



### Quantity Breakpoints:

% of Net Machine Income Discount Schedule – Quantity to be aggregated across all facilities:

- 0 - 320 Stations - 6.0000% of Net Machine Income
- 321 - 640 Stations - 5.9500% of Net Machine Income
- 641 - 800 Stations - 5.9000% of Net Machine Income
- 801 - 1,000 Stations - 5.8500% of Net Machine Income
- 1,001 + Stations - 5.8000% of Net Machine Income

# VIP TERMINAL

Feel like a king, play like a king

## Description:

**VIP terminal** is a compact and cleverly designed terminal that can be added to different environments and positions. The main usage of this terminal is as an addition to a comfortable and luxurious chair, to create a special VIP terminal. This combination will satisfy even the most demanding players, with unlimited comfort, USB chargers, massage functions, food tray etc. The VIP terminal offers all the functionalities of the proper gaming terminal, with 27" display and numerous special amenities for that special player.

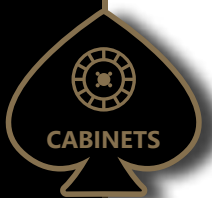
## Main features:

- Bill acceptors, ticket printers and player tracking modules
- Supports the Multi-Game and Simultaneous Play options
- Unlimited connectivity to live and automatic game sources
- 27" monitor
- Hydraulic system provides settable angle for best adaptability
- Different seating options
- Footprint: 1,55 m<sup>2</sup> [16,72 ft<sup>2</sup>]



# TABLE TOP & COFFEE TABLE

*Diversity within the play*



## Description:

**Table Top** and **Coffee Table** are patented compact terminals, designed for confined spaces, that maintains all the features from other products in the Alfastreet range. An ideal solution for bar tops and tables, this terminals can extend your Casino floor to previously unusable space. Different design options are available, combined with different tables, sitting areas or bars, Table Top can provide a VIP experience to your players.



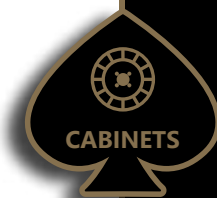
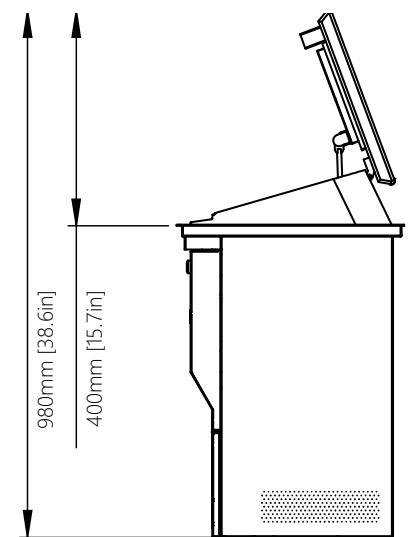
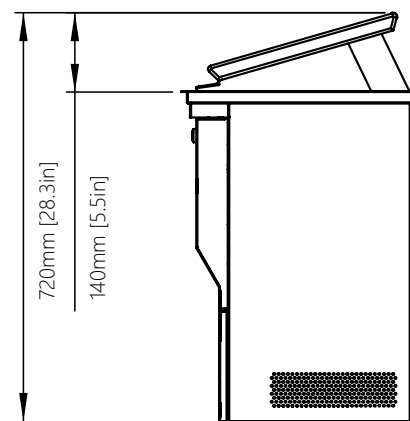
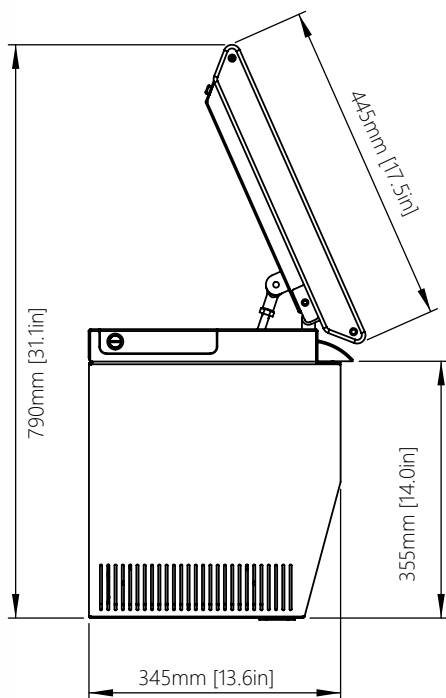
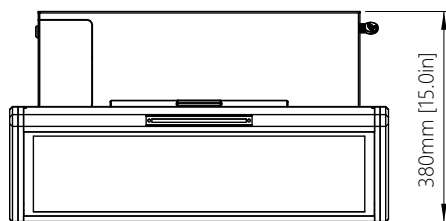
## Main features:

- Bill acceptors, ticket printers and player tracking modules
- Unlimited connectivity to live and automatic game sources
- Multiple Jackpot options
- Attractive decorative lighting
- Footprint: 0,55 m<sup>2</sup> [5,92 ft<sup>2</sup>]
- USB chargers

### Quantity Breakpoints:

% of Net Machine Income Discount Schedule – Quantity to be aggregated across all facilities:

- 0 - 320 Stations - 6.0000% of Net Machine Income
- 321 - 640 Stations - 5.9500% of Net Machine Income
- 641 - 800 Stations - 5.9000% of Net Machine Income
- 801 - 1,000 Stations - 5.8500% of Net Machine Income
- 1,001 + Stations - 5.8000% of Net Machine Income



# BAR TOP

*With Bar top, glass is always half full*

## Description:

**BarTop** is the latest addition to our compact terminal line with some advanced solutions to create a perfect gaming machine for any Bar. 23' provides all the functionalities expected from Alfastreet terminal, even the simultaneous betting, multiple card games, connections to live tables and much more. Bar Top will fit perfectly into any such environment, with the design that'll keep your customers entertained and thirsty for more.



## Main features:

- Bill acceptors, ticket printers and player tracking modules
- Unlimited connectivity to live and automatic game sources
- Multiple Jackpot options
- Combines slot games with Alfastreet Multi-game selection
- Optional topper solutions
- Attractive decorative lighting
- Footprint: 0,55 m<sup>2</sup> [5,92 ft<sup>2</sup>]
- Optional 43" curved screen
- USB chargers

### Quantity Breakpoints:

% of Net Machine Income Discount Schedule – Quantity to be aggregated across all facilities:

- 0 - 320 Stations - 6.0000% of Net Machine Income
- 321 - 640 Stations - 5.9500% of Net Machine Income
- 641 - 800 Stations - 5.9000% of Net Machine Income
- 801 - 1,000 Stations - 5.8500% of Net Machine Income
- 1,001 + Stations - 5.8000% of Net Machine Income

# LIVE WHEEL

Winning a 25 year race

## Description:

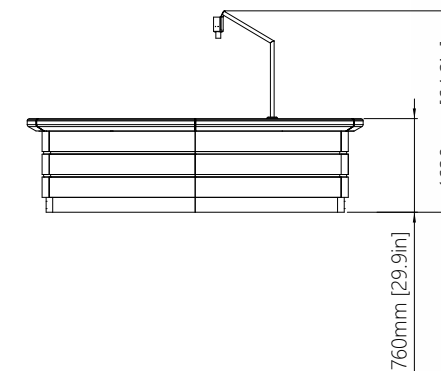
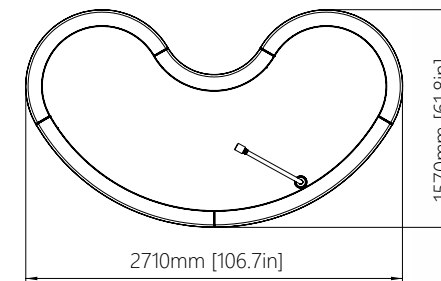
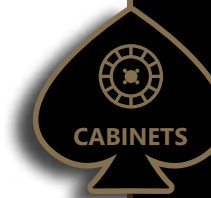
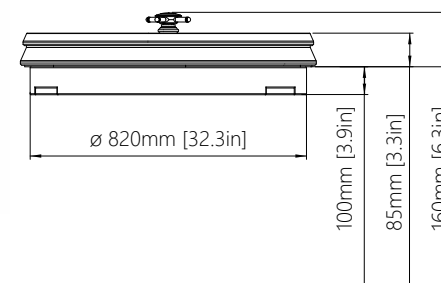
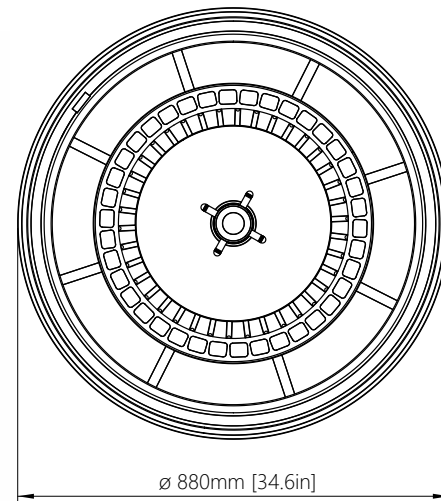
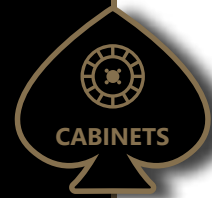
Boasting extensive experience with thousands of units installed worldwide, the company presents an attractive live roulette, featuring innovative illumination, hot'n'cold numbers, last 8 results and much more. This wheel can be used in live or fully automated mode.

## Main features:

- Innovative design with many additional features
- Fastest and the most secure result detection in the industry
- Single or double zero
- An Indication of slow speed, fast speed, same direction, not enough spins, irregular stopping
- Connection to Alfastreet terminals
- Dedicated Wall display solution
- Alfastreet Live table
- Implementation of the "Lucky Number Jackpot" and illumination of the selected number
- Footprint: 0,61 m<sup>2</sup> [6,6 ft<sup>2</sup>]

### Quantity Breakpoints:

% of Net Machine Income Discount Schedule – Quantity to be aggregated across all facilities:  
 0 - 320 Stations - 6.0000% of Net Machine Income  
 321 - 640 Stations - 5.9500% of Net Machine Income  
 641 - 800 Stations - 5.9000% of Net Machine Income  
 801 - 1,000 Stations - 5.8500% of Net Machine Income  
 1,001 + Stations - 5.8000% of Net Machine Income



### Quantity Breakpoints:

% of Net Machine Income Discount Schedule – Quantity to be aggregated across all facilities:  
 0 - 320 Stations - 6.0000% of Net Machine Income  
 321 - 640 Stations - 5.9500% of Net Machine Income  
 641 - 800 Stations - 5.9000% of Net Machine Income  
 801 - 1,000 Stations - 5.8500% of Net Machine Income  
 1,001 + Stations - 5.8000% of Net Machine Income

# LIVE TABLES

Enjoy the Game

## Description:

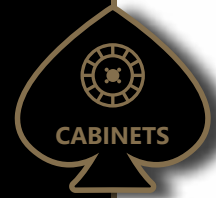
**Live Tables** by Alfastreet now bring multiple connection options, even with the other live tables on your casino floor. Live tables can be combined with up to three games on the same tables, which will bring your operations better usage of space and manpower. Special design requires less personnel and offers more games per hour. Security is always a major thing with live games, so Alfastreet implemented fully automated security features that prevent any mistake by the dealer, and also detect any kind of malfunction or improper behavior. Newly designed, these tables will fit into the most demanding venues, with many customization options and variety of games to choose from. Choose between Alfastreet live wheel or our automated dealing shoe, but also ask for any other gaming device for these tables and Alfastreet will provide. All live tables can be used in live or fully automated mode.

**Multi-Terminal Blackjack** is a specially designed, patented solution on Live Blackjack game that can be played on an unlimited number of gaming terminals. This offers a unique approach to the game, additional excitement for the player and an unprecedented utilization of the Live Blackjack game, single dealer with an unlimited number of players. Many features, side bets, and other amenities will make this game a pearl on any gaming floor. The displayed cabinet takes up 3,98 m<sup>2</sup> [42.79 ft<sup>2</sup>].



# ARCHITECTURE

*Unlimited creative combinations*



## Description:

### Alfastreet Architecture concept

is a combination of design, style, latest technology and a little bit of magic. Each of our designs is a complete package, that combines any number of gaming stations, connected to as many as 32 different live games. This number is unprecedented in the world of electronic table games.

The machine setup is rounded with impressive wall display designs, perfectly customized and tempered to fit perfectly into the environment and to serve perfectly with games information, animation, entertainment and more.

Alfastreet has been setting up such architecture stories through the world for several years now, and we're surely and definitely leading the way.



### Quantity Breakpoints:

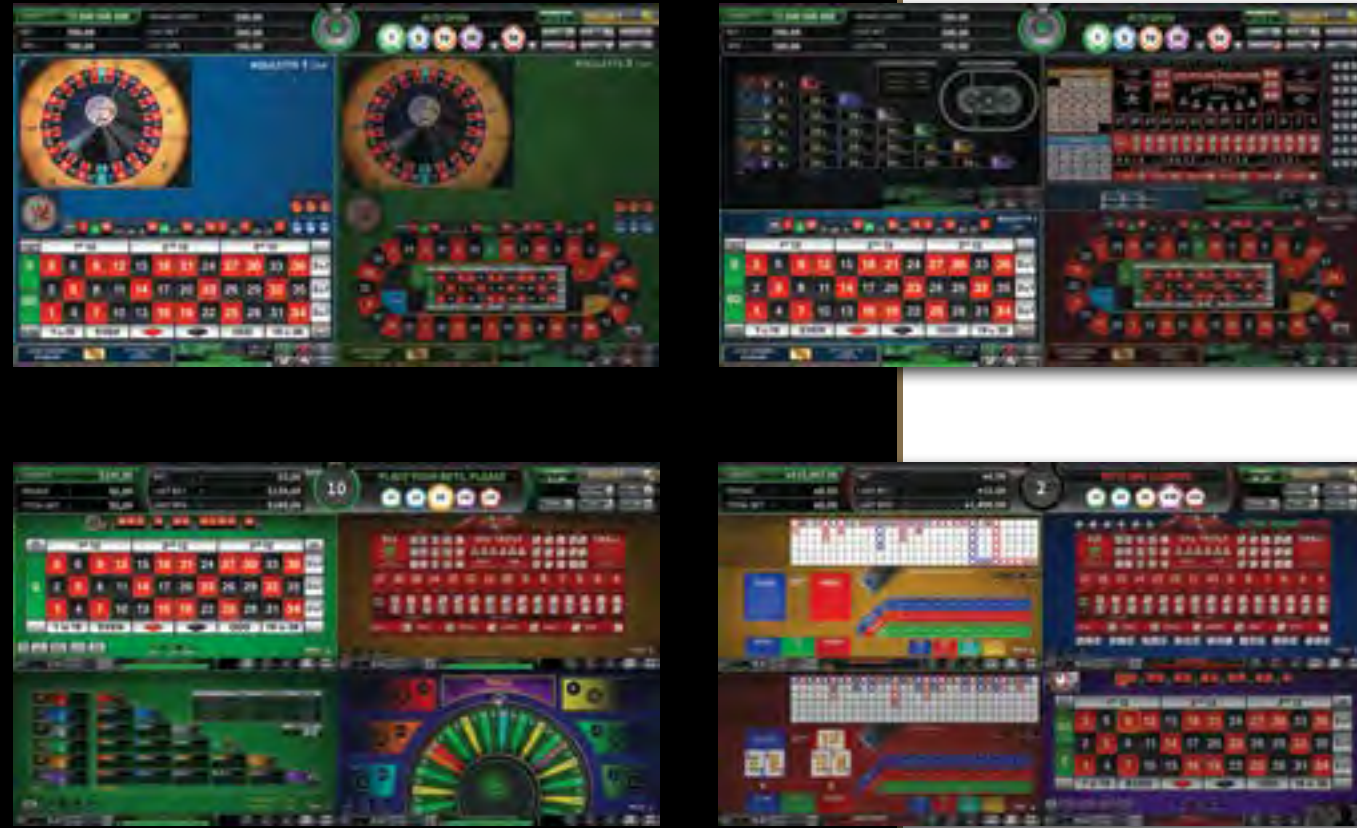
% of Net Machine Income Discount Schedule – Quantity to be aggregated across all facilities:

- 0 - 320 Stations - 6.0000% of Net Machine Income
- 321 - 640 Stations - 5.9500% of Net Machine Income
- 641 - 800 Stations - 5.9000% of Net Machine Income
- 801 - 1,000 Stations - 5.8500% of Net Machine Income
- 1,001 + Stations - 5.8000% of Net Machine Income



# 4 GAMES SIMULTANEOUS PLAY

All of the Alfastreet gaming stations incorporate the special options **"Multi-Game"** and **"Simultaneous play"**, which enable a player to choose from a great variety of games: Roulette, SicBo, Craps, Baccarat, Dragon vs. Tiger, Big Six, various versions of Poker, Royal Derby...new ones are coming! The Simultaneous Play provides the possibility to play **up to 4 games (live or automatic) at the same time**, splitting the screen according to personal preferences, for more enjoyment and higher revenues.



# 32 GAMES CONNECTIVITY



Not many people know, but Alfastreet first started the 2 games simultaneous betting about 5 years ago. At that time, it was a revolution in the development of the electronic table games and we proved to everyone how visionary and resourceful Alfastreet was. After 5 years, while our competitors just started doing what we did 5 years ago, we're proud to announce that any of our terminals can be connected **to 32 games at the same time.**

We can connect to live, auto and virtual. We can even connect to any existing live table on the casino floor. This option, once again confirms Alfastreet's advanced development, vision and commitment, and arguably confirms our statement of being the world leader in our segment of development.

Connect up to 32 different games, bet multiple games at the same time, split screens, play tournament games, side bets, progressive jackpot systems, Alfastreet today offers you something that the rest will offer in the years to come.



# SIGNAGE STATISTICS

Video wall solutions from Alfastreet provide added entertainment and enable players to get more involved into the games, with attractive graphic display of all the important statistical and video information. Regardless of the chosen game, the player will get a comprehensive view of the game history, Hot'n'Cold numbers, live video feed from game sources and plenty more in order to elevate the game experience to the higher level.



# ROULETTE

## The game:

- Single or double zero roulette
- Different Jackpot options add to the player's enjoyment
- Multi-wheel and Multi Game options
- Connecting to any player tracking / online system
- Alfastreet Roulette wheels are certified for their accuracy and randomness, as well as proven for their reliability throughout years of operation

## Tournament

Easy to operate, the tournament will bring excitement and rewards to your loyal players

## Description:

Roulette is Alfastreet's core product. We started building roulettes more than two decades ago and today we are proud to be recognized as the "highest authority" when it comes to automated roulette manufacturing.

## Advantages

- Fast, convenient and easy to play
- The social aspect. Players are not playing against each other so they cheer and interact among themselves in a joint effort to beat "the house"
- The game is completely customizable. Parameters like the speed of the game, denomination, betting limitations, language etc., are easily adjustable from our settings menu. Different cabinet options like standard 8 player machine, SL or Table Top, Felix T or Wiky terminals
- Up to 254 players can join in a single Roulette game
- 24/7 table operation time





# LUCKY NUMBER JACKPOT



**Lucky Nuber Jackpot** is Alfastreet's latest and most innovative product. Three level Jackpot system is unique in its solutions, mathematics, and ability to provide maximum engagement by the player. First level Jackpot will hit on average every 9 min of play. Player will choose whether to play on, for higher level Jackpot or to take the prize offered. Higher you go, more attractive is the prize. On the 3<sup>rd</sup> level, Jackpot will be as attractive as can be imagined and definitely the highest seen on any electronic Roulette. As expected, Luck Number Jackpot is settable in many ways, including the hold for the operator. Easy to implement to existing Alfastreet Roulettes and affordable to add to any new product order, this system will be marked as "must have" very soon. Lucky Number Jackpot system is patent pending for several components, and our promise is, this Jackpot will make the difference.



# BLACKJACK, BACCARAT, SIC BO



**Blackjack** is the most popular card game in the world. Completely automated, yet still brings you thrill and excitement, much like its live version. Also available in multi hand.

The **Baccarat** game in its live and automated version. This game is most popular in Asian countries. Simple to play, it attracts some high stakes and good entertainment.

The Ancient Chinese game of **SicBo** offers 50 different betting options and allows you to place multiple bets at once.



KGM Philadelphia- Headquarters  
4250 Wissahickon Ave  
Philadelphia, PA 19129

---

Phone: 215-430-0388  
Email: [info@kgmgaming.com](mailto:info@kgmgaming.com)

KGM strives to present current and accurate information in this brochure, but does not guarantee either the accuracy or currency of information posted here. In the event of a significant difference between the information in this brochure and information provided at our sites, the later information should prevail. Please contact us for any further details. © 2021